

## ALLROUNDER 175 V

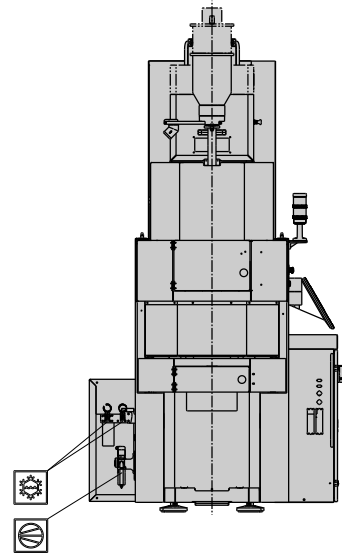
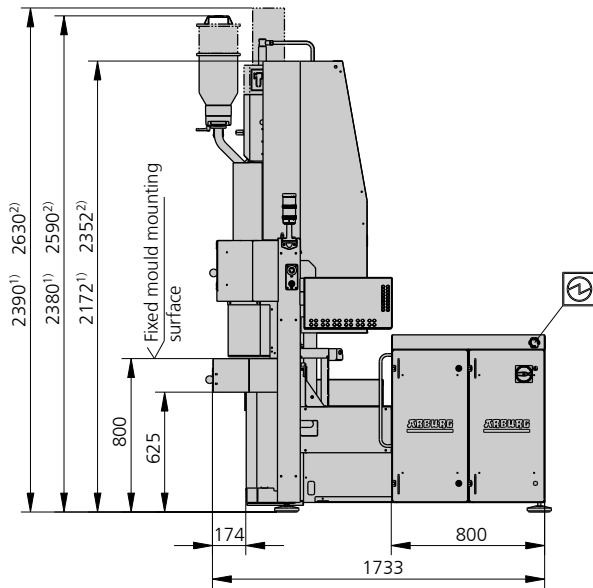
Vertical free-space system

Clamping force: 125 kN

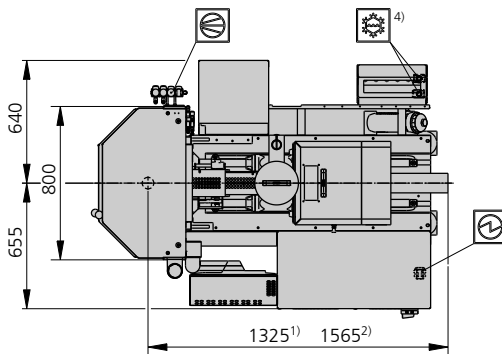
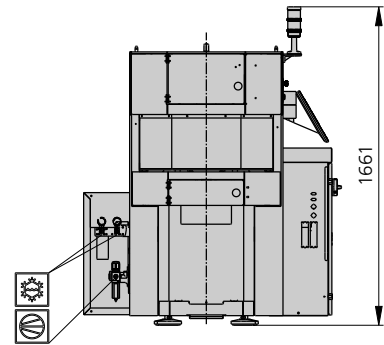
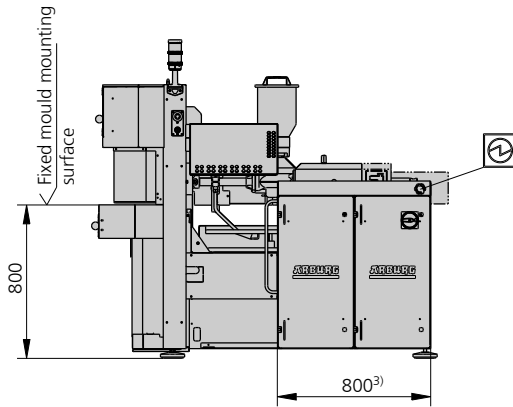
Injection unit (according to EUROMAP): 30, 70




**ARBURG**

# INSTALLATION DIMENSIONS | 175 V



## Horizontal version



-  Electrical connection
-  Cooling water connection
-  Pneumatic connection

- 1) Injection unit 30
- 2) Injection unit 70
- 3) Additional control cabinet dependent on version
- 4) Cooling water distributor position may vary depending on options

# TECHNICAL DATA | 175 V

Clamping unit		175 V	
with clamping force	max. kN	125	
Version		Standard	Rotary table
Opening force   stroke	max. kN   mm	30   225	30   225
Mould height, fixed   variable	min. mm	100   ---	77   ---
Platen daylight fixed   variable	max. mm	325   ---	302   ---
Table diameter	mm	---	630
Shuttle table stroke	mm	---	---
Angle of rotation, left/right		---	180°
Rotation time for 180°	min. s	---	1,8
Weight on rotary/shuttle table	max. kg	---	60
Weight of movable mould half	max. kg	---	36
Ejector force   stroke	max. kN   mm	16   40	16   40
Dry cycle time EUROMAP <sup>2</sup>	min. s - mm	2,9 - 122	2,9   122

Injection unit		30		70		
with screw diameter	mm	15	18	18	22	25
Effective screw length	L/D	17,7	14,5	24,5	20	17,5
Screw stroke	max. mm	60		90		
Calculated stroke volume	max. cm <sup>3</sup>	10,6	15,3	23	34	44
Shot weight	max. g PS	9,5	14	21	31	40
Material throughput	max. kg/h PS	1,7	2,3	4,1	5,5	6,5
	max. kg/h PA6.6	0,8	1,2	2,1	2,8	3,3
Injection pressure	max. bar	2200	2000	2500	2000	1550
Holding pressure	max. bar	2200	2000	2500	2000	1550
Injection flow <sup>2</sup>	max. cm <sup>3</sup> /s	26	38	26	40	52
Screw circumferential speed <sup>2</sup>	max. m/min	13	15	15	19	22
Screw torque	max. Nm	50	60	90	110	120
Nozzle contact force   retraction stroke	max. kN   mm	40   120		50   150		
Heating capacity   zones	kW	2,3   4		4,1   4		
Feed hopper	l	8		8		

Drive and connection		Standard		Rotary table	
with injection unit		30	70	30	70
Net weight of machine	kg	1300	1315	1525	1600
Sound press. level   Insecurity <sup>4</sup>	dB(A)	64   3		64   3	
Oil filling	l	45		45	
Drive power <sup>2</sup>	max. kW	5,5		5,5	
Electrical connection <sup>3</sup>	kW	10	12	10	12
	Total	A		40	
	Machine	A		---	
Cooling water connection	max. °C	25		25	
	min. Δp bar	1,5   DN 25		1,5   DN 25	

**Machine type**  
with EUROMAP size designation<sup>1</sup>  
175 V 125-30 | 70

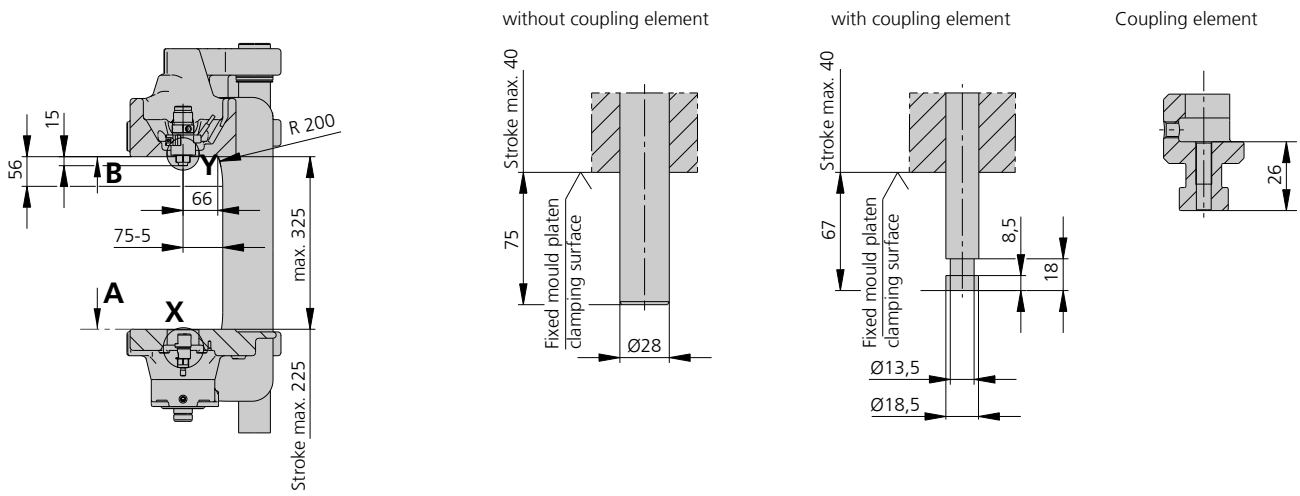
**Upon request: other machine types and mould installation heights, screws, drive powers, etc.**

All specifications relate to the basic machine version. Deviations are possible depending on variants, process settings and material type. Depending on the drive, certain combinations, e.g. max. injection pressure and max. injection flow may be mutually exclusive.

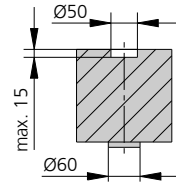
- 1) Clamping force (kN) - large injection unit = max. stroke volume (cm<sup>3</sup>) x max. injection pressure (kbar)
  - 2) Specifications depend on the drive variant / drive configuration.
  - 3) Specifications relate to 400 V/50 Hz.
  - 4) Detailed info in the operating instr.
- [ ] Specifications apply to alternative equipment.

# MOULD INSTALLATION DIMENSIONS | 175 V

## Ejector bolt | X

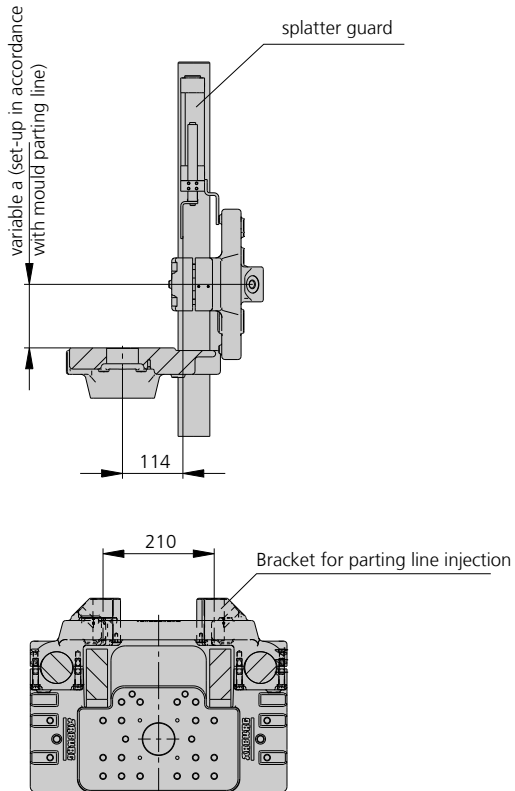
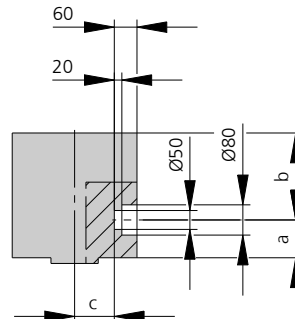


## Cut-out in mould (if required) | Y



### Horizontal version

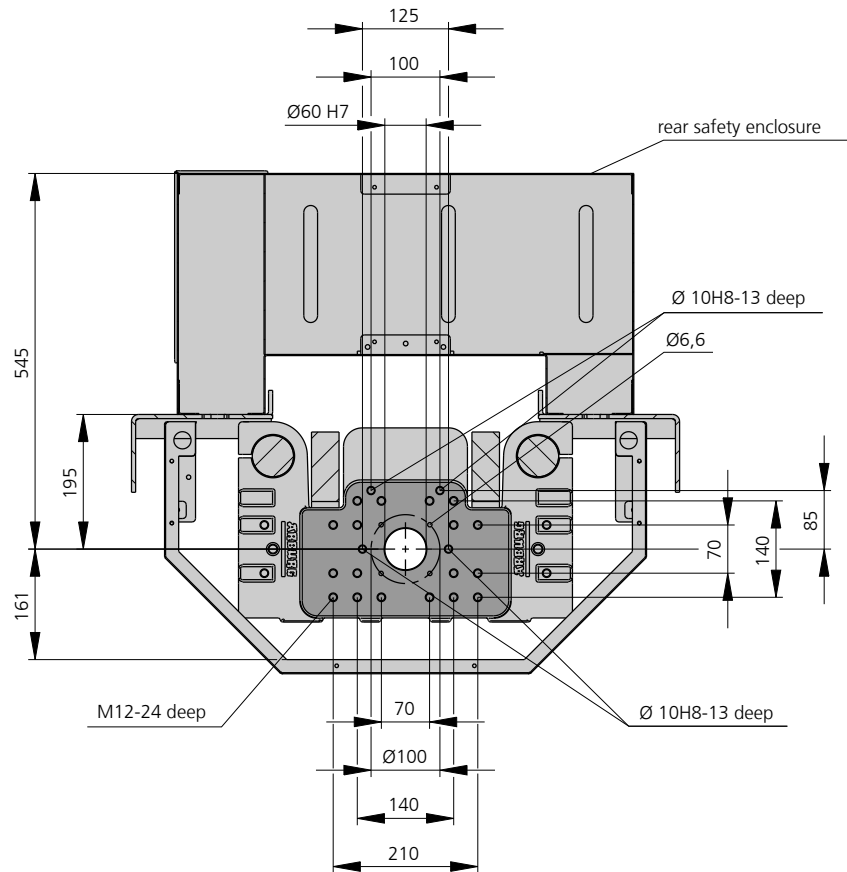
## Cut-out in mould (if required)



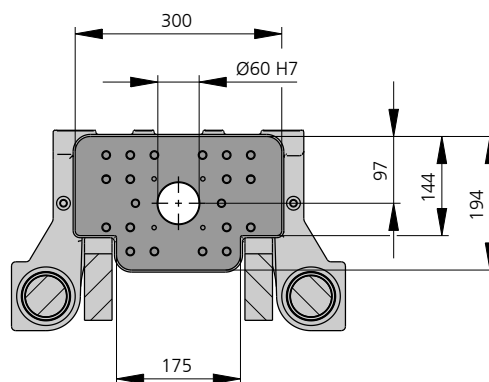
	Injection positions		with hydraulic nozzle	
	injection units			
	30	70	30	70
a min.	60		80	
a max.	120		120	
b min.	50		50	
c min.	45		-	11

# MOULD INSTALLATION DIMENSIONS | 175 V

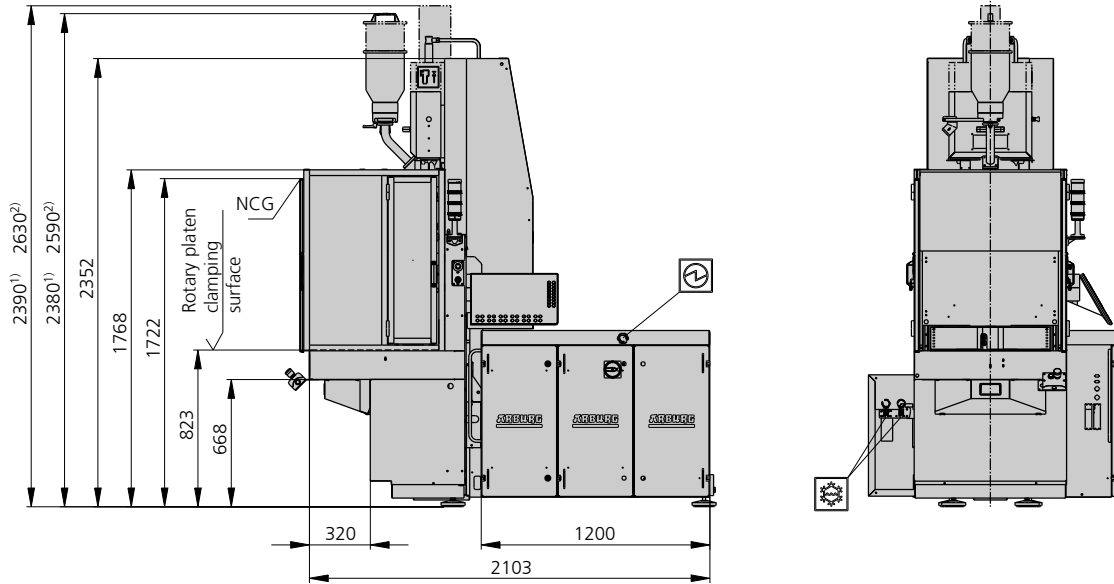
## Moving mould mounting platen | A



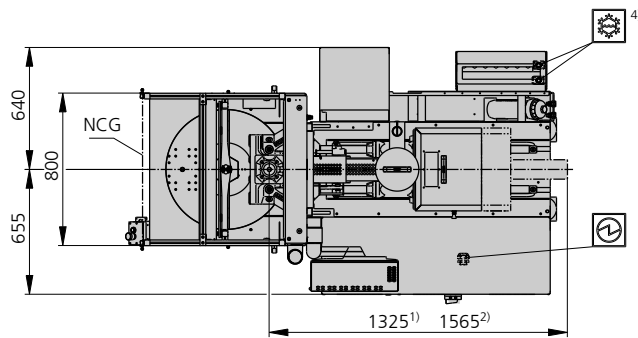
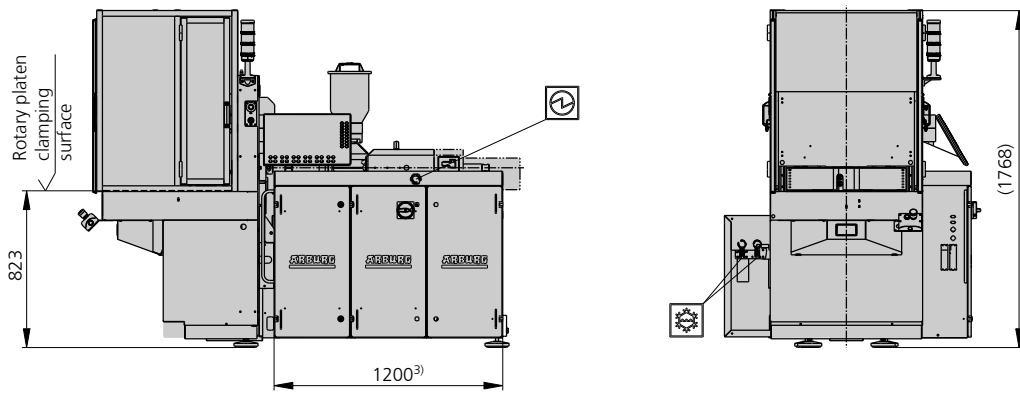
## Fixed mould mounting platen | B





# ROTARY TABLE INSTALLATION DIMENSIONS | 175 V



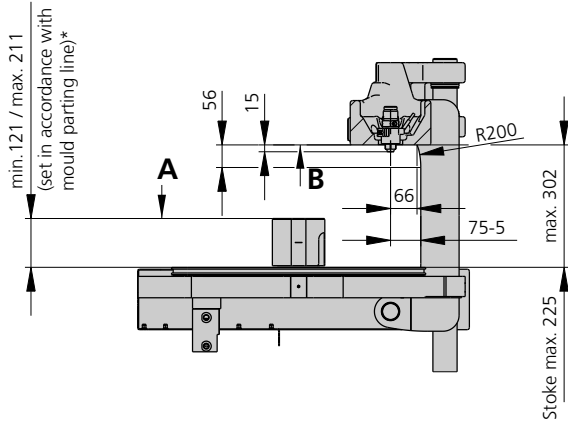
Horizontal version



-  Electrical connection
-  Cooling water connection

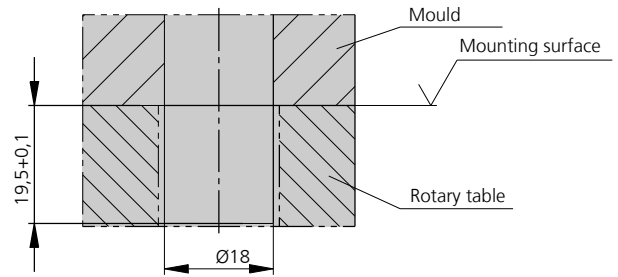
- 1) Injection unit 30
- 2) Injection unit 70
- 3) Additional control cabinet dependent on version
- 4) Cooling water distributor position may vary depending on options  
NCG - Non-contacting guard (photoelectric safety barrier)

# MOULD INSTALLATION DIMENSIONS FOR ROTARY TABLE | 175 V

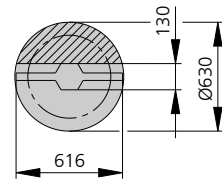


\*(max. height: observe mold parting line with ejector troke; with vertical injection unit observe height of sprue)

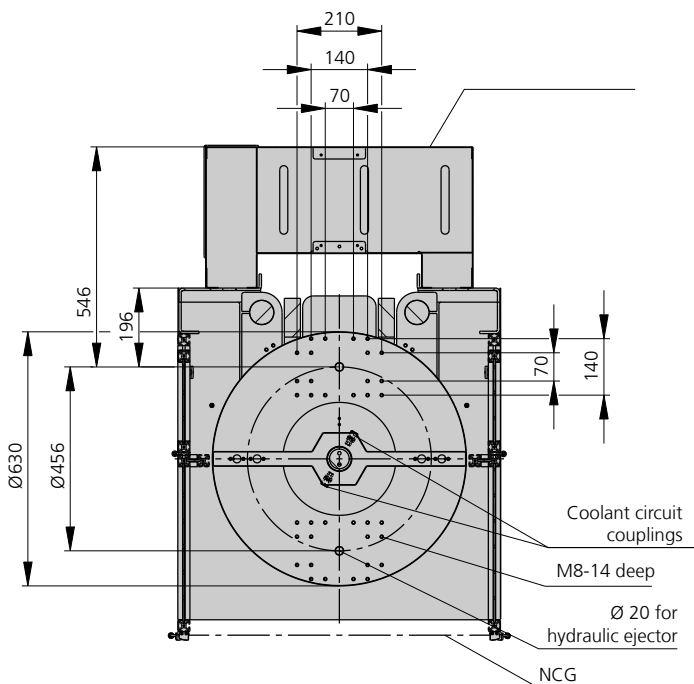
## Ejector bolt (for gentle ejection)



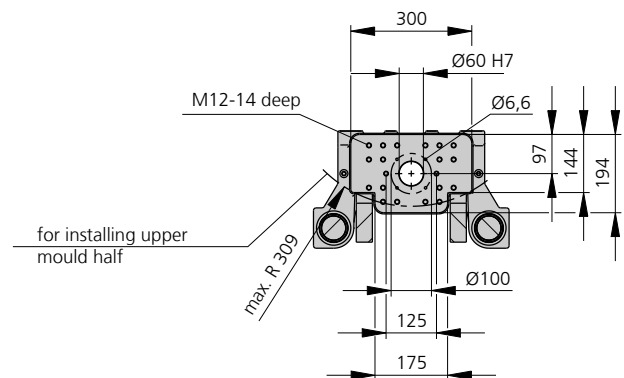
## Useable mounting surface



## Moving mould mounting platen | A

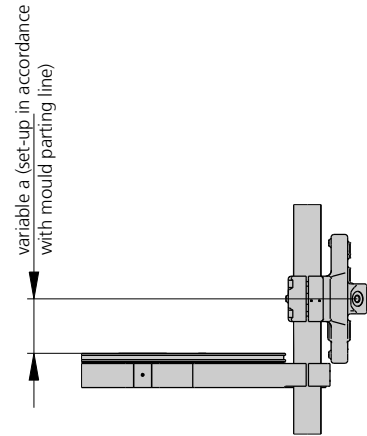
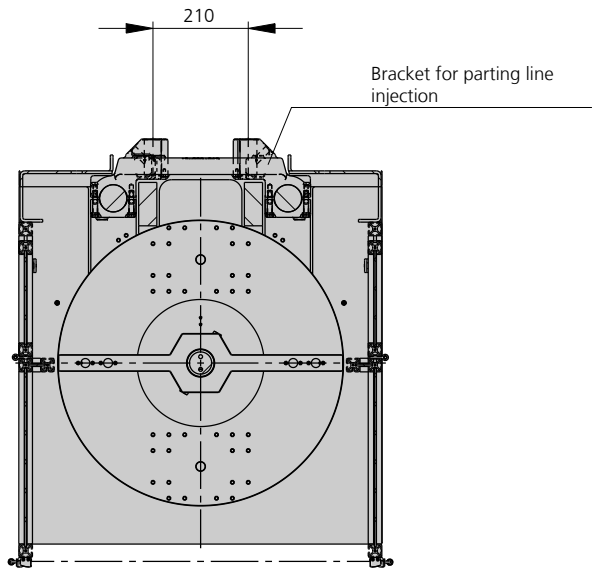


## Mould mounting platen, rotary table | B

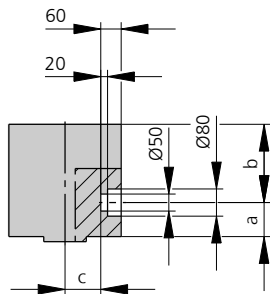


# MOULD INSTALLATION DIMENSIONS FOR ROTARY TABLE | 175 V

## Horizontal version



## Cut-out in mould (if required)



	Injection positions		with hydraulic nozzle	
	injection units			
	30	70	30	70
a min.	60		80	
a max.	120		120	
b min.	50		50	
c min.	45		-	11



# SHOT WEIGHTS | 175 V

## Theoretical shot weights for the most important injection moulding materials

Injection units according to EUROMAP		30		70		
Screw diameter	mm	15	18	18	22	25
Polystyrene	max. g PS	9,5	14,0	21	31	40
Styrene heteropolymerizates	max. g SB	9,5	13,5	20	31	39
	max. g SAN, ABS <sup>1)</sup>	9,5	13,5	20	30	39
Cellulose acetate	max. g CA <sup>1)</sup>	11,0	15,5	24	35	45
Celluloseacetobutyrate	max. g CAB <sup>1)</sup>	10,0	14,5	22	33	42
Polymethyl methacrylate	max. g PMMA	10,0	14,5	22	32	42
Polyphenylene ether, mod.	max. g PPE	9,0	13,0	19	29	37
Polycarbonate	max. g PC	10,0	14,5	22	33	42
Polysulphone	max. g PSU	10,5	15,0	23	34	44
Polyamides	max. g PA 6.6   PA 6 <sup>1)</sup>	9,5	14,0	21	31	40
	max. g PA 6.10   PA 11 <sup>1)</sup>	9,0	13,0	19	29	37
Polyoximethylene (Polyacetal)	max. g POM	12,0	17,0	26	39	50
Polyethylene terephthalate	max. g PET	11,5	16,5	25	37	48
Polyethylene	max. g PE-LD	7,5	10,5	16	24	30
	max. g PE-HD	7,5	11,0	16	24	31
Polypropylene	max. g PP	7,5	11,0	17	25	32
Fluoropolymerides	max. g FEP, PFA, PCTFE <sup>1)</sup>	15,5	22,5	33	50	65
	max. g ETFE	13,5	19,5	29	44	57
Polyvinyl chloride	max. g PVC-U	11,5	17,0	25	38	49
	max. g PVC-P <sup>1)</sup>	11,0	15,5	23	35	45

1) average value

**ARBURG GmbH + Co KG**  
 Arthur-Hehl-Strasse  
 72290 Lossburg  
 Tel.: +49 7446 33-0  
 www.arburg.com  
 contact@arburg.com